

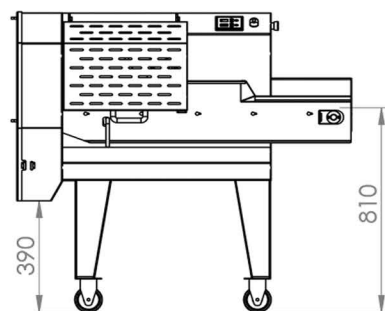
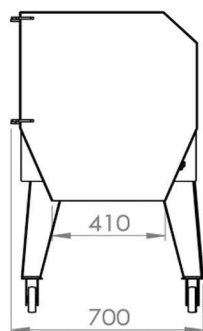
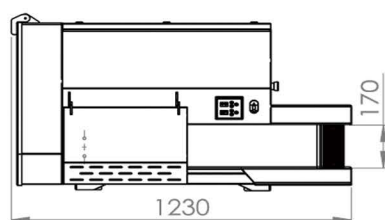
TS-168

Belt Cutting Machine

- An ideal equipment for central kitchen, restaurants, and food processing industry
- Various cutting accessories for a great variety of products



Specifications & Drawings



Length : 1230 mm
Width : 700 mm
Height : 1163 mm
Weight : 193 kg
Infeed Height : 810 mm
Outfeed Height : 390 mm

Power Consumption : 1.87KW
Motor : 2.5HP
Voltage : 220V

