

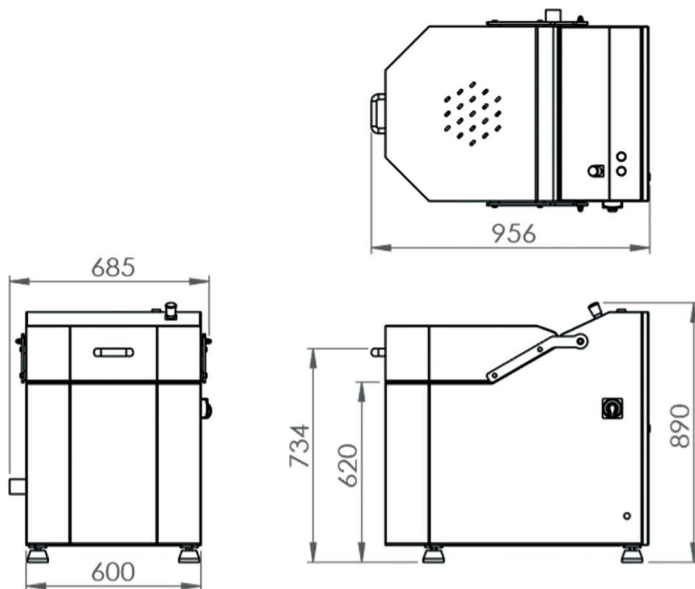
TC-5

Vegetable Centrifuge

- Designed with an attractive appearance
- Efficient spin-drying of fruits and vegetables



Specifications & Drawings



Length : 956mm
Width : 685mm
Height : 890mm
Weight : 150kg
Infeed Height : 620mm

Power Consumption : 0.75KW
Motor : 1HP
Voltage : 220V

