

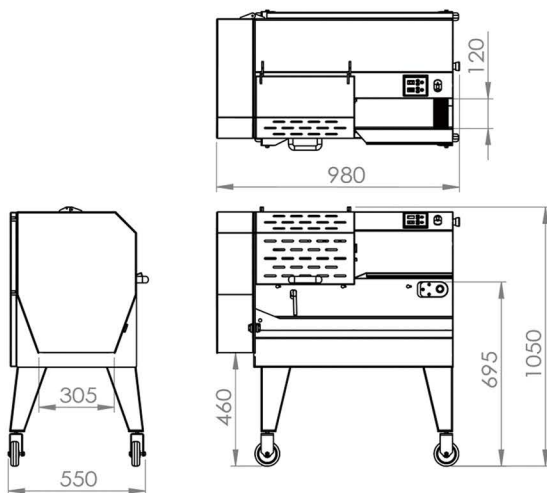
TS-120

Belt Cutting Machine

- An ideal equipment for central kitchen, restaurants, and food processing industry
- Easy maintenance and efficient cleaning



Specifications & Drawings



Length :	980 mm
Width :	550 mm
Height :	1050 mm
Weight :	155 kg
Infeed Height :	750 mm
Outfeed Height :	460 mm
Belt Width :	116 / 119 mm
Belt Length :	790 / 1645mm
Power Consumption :	1.13 KW
Motor :	1.5 HP
Voltage :	220 ~ 240 V



CONVEYOR BELT

The blue belt meets the requirement of food hygiene, also, it is detachable and easy to be cleaned by water.



ELECTRONICAL CONTROL PANEL

Allows operator to set for the parameters of knife and conveyor belt speed.

TAIYI FOOD MACHINERY CO., LTD.

Machine specification and pictures are for reference only and are subject to change without prior notice.