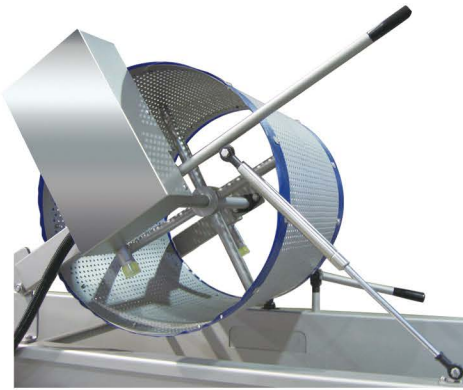


# Accessories



## DRUM FILTER

By means of the filter, the residue or tiny insects suspended on the water are able to be removed. It is efficient in increasing wash and clean effect.

## SAND TRAP & SIEVE COVERS

The sand trap at the bottom of the wash tank with two sieve covers help settle the heavy dirt (like stones and insects) removed from the product by flow.



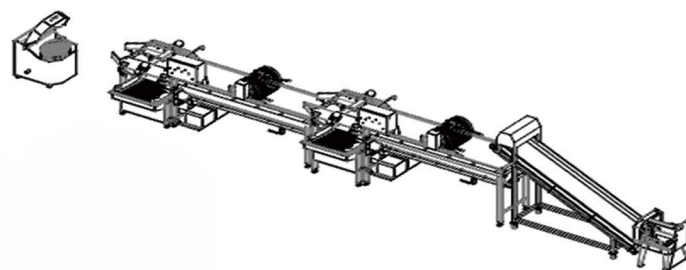
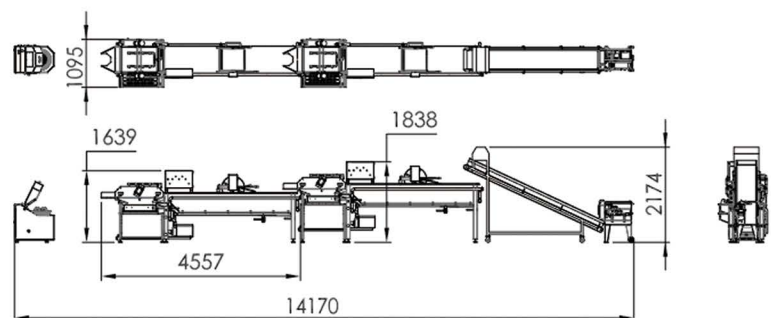
## VIBRATORY SIEVE & SPRINKLE NOZZLES

There are eight sprinkle nozzles set on top of vibratory sieve. The installation make the product be cleaned again which enhances the wash effect greatly.



## WATER GATE

A pressure bar is to control of the water gate opened/closed. For the impurities in the drum filter flow to the small collect tank while the gate opened.



Machine specification and pictures are for reference only and are subject to change without prior notice.

CN. Pat. No. ZL201520281842