

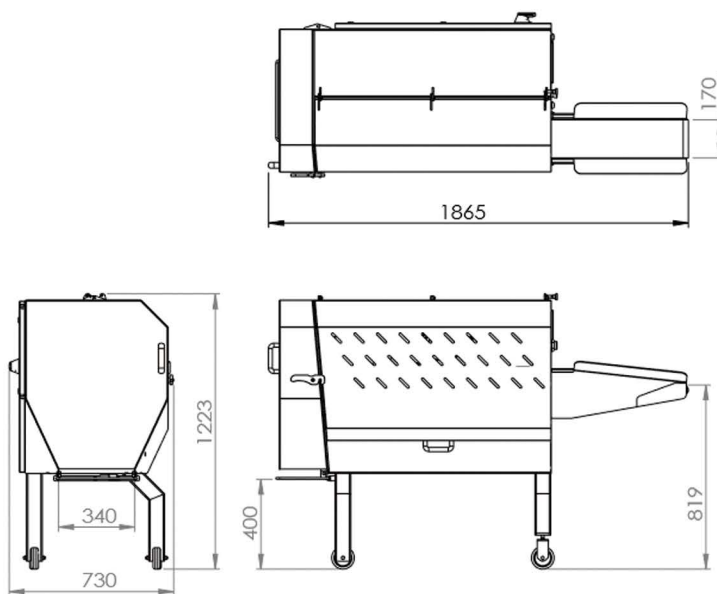
TS-170

Belt Cutting Machine

- An ideal equipment for central kitchen, restaurants, and food processing industry
- Various cutting accessories for a great variety of products



Specifications & Drawings



Length : 1865mm
Width : 730mm
Height : 1223mm
Weight : 280kg
Infeed Height : 819mm
Outfeed Height : 400mm

Belt Width : 170mm
Power Consumption : 1.87KW
Motor : 2.5HP
Voltage : 220V

